

MTR6

64x32x81 mm



Single output thermostat

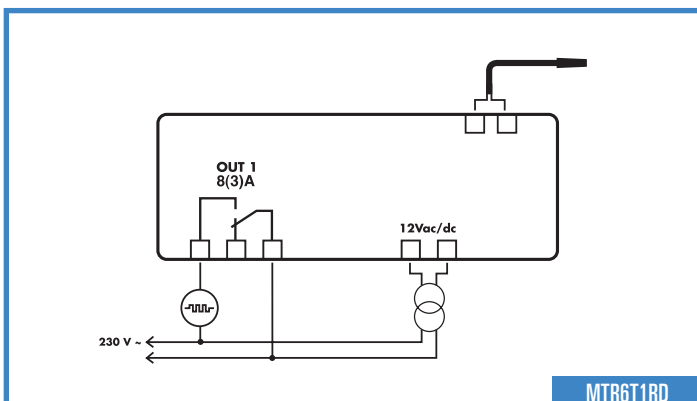
Main Features

- Panel controller with programmable differential
- Refrigerating or heating mode control selection
- Load start limitation
- Safety function in the event of breakage of the sensor
- Very compact size

Applications

Control of small cold stores, refrigerated cabinets and tables, heating systems, heated cupboards, bains-marie and ovens.

Standard versions	Front protection
MTR6T1RD	IP40
MTR6T1RDS	IP54



Technical Data

Range:	-50 ÷ 150°C
Resolution:	1°
Accuracy:	±0.7° (-30 ÷ 110°C)
Sensor type:	PTC; standard mod. ST1K20P1
Power supply:	12Vac/dc ±10%; 2W
Panel cut-out:	58x26 mm
Ambient temperature:	-10 ÷ 50°C