

INSTALLATION MANUAL

English(GB)

INSTALLATIONSHANDBUCH

Deutsch(D)

MANUEL D'INSTALLATION

Français(F)

INSTALLATIEHANDLEIDING

Nederlands
(NL)

MANUAL DE INSTALACIÓN

Español(E)

MANUAL DE INSTALAÇÃO

Português
(P)

INSTALLATIONSMANUAL

Dansk(DE)

INSTALLATIONSMANUAL

Svenska
(SW)

INSTALLERINGSHÅNDBOK

Norsk(NO)

ASENNUSOPAS

Suomi(FI)

INSTRUKCJA MONTAŻU

Polski(PO)

TELEPÍTÉSI KÉZIKÖNYV

Magyar(HU)

PŘÍRUČKA PRO INSTALACI

Český (CZ)

РЪКОВОДСТВО ЗА МОНТАЖ

Български
(BG)

РУКОВОДСТВО ПО УСТАНОВКЕ

Русский
(RU)

MANUALE DI INSTALLAZIONE

Italiano(I)

ΕΓΧΕΙΡΙΔΙΟ ΟΔΗΓΙΩΝ ΕΓΚΑΤΑΣΤΑΣΗΣ

Ελληνικά
(GR)

MONTAJ ELKİTABI

Türkçe(TK)

ПОСІБНИК ІЗ МОНТАЖУ

Українська
(UK)

Contents

1. Safety precautions.....	1
2. Product Introduction	5
3. Parts	5
4. Connecting the Wi-Fi interface	6
5. Specifications	8

About Wi-Fi interface

This Wi-Fi interface, communicates the status information and controls the commands from the MELCloud by connecting to an indoor unit.

- Some indoor units are not compatible with the Wi-Fi interface. Make sure that the indoor unit is compatible with the Wi-Fi interface before attempting to install the Wi-Fi interface.

Note [ATW (Air-to-water) indoor unit only]:

The software of ATW indoor unit needs to be upgraded before using the Wi-Fi interface. Refer to the website of MELCloud for information about the models that need to be upgraded and the way to obtain and upgrade the software.

1. Safety precautions

- Read all Safety Instructions before installation, setting up, or use of the Wi-Fi interface.
- This installation manual contains important safety information. Be sure to comply with the instructions.
- After installing the Wi-Fi interface, provide this installation manual for the user. Instruct users to store it with their indoor unit instruction manual in a safe location.

[Precautions for installation]

Warning

(Improper handling may have serious consequences, including serious injury or death.)

- **Do not install the Wi-Fi interface by yourself (user).**
Improper installation may result in fire, electric shock, injury due to fall of the Wi-Fi interface, or water leaks. Consult the dealer from whom you purchased the Wi-Fi interface or professional installer.
- **The Wi-Fi Interface should be securely installed in accordance with this installation manual.**
Improper installation may result in fire, electric shock, or damage, or fall of the Wi-Fi interface.
- **The Wi-Fi interface should be mounted in a location that can support its weight.**
If the Wi-Fi interface is installed in a location that cannot support its weight, the Wi-Fi interface could fall and cause damage.
- **Connect and fasten the electric wires securely so external force on the wires will not apply on the terminals.**
Improper connection and mounting may result in breakdown, heat generation, smoke generation, or fire.
- **Mitsubishi Electric's components or other designated components must be used for installation.**
Improper component may result in fire, electric shock, or damage/water leaks.
- **Electric work must be performed by authorized personnel in accordance with the local regulations and the instructions detailed in the installation manual.**
- Inadequate circuit capacity or improper installation may result in electric shock or fire.
- **Do not connect the Wi-Fi interface to earth inside the indoor unit.**
- **Attach the electrical cover to the indoor unit securely.**
If the electrical cover of the indoor units is not attached securely, it could result in a fire or an electric shock due to dust, water, etc.
- **When installing the Wi-Fi interface, use appropriate protective equipment and tools for safety.**
Failure to do so could cause injury.
- **Turn off the breaker or unplug the power supply plug of the indoor unit when connecting the Wi-Fi interface.**
Failure to do so could cause electric shock.
- **Make sure to connect the connector of the Wi-Fi interface to the P.C. board of the indoor unit properly.**
Incomplete connecting or mounting may result in broken wire, heat generation, smoke generation, or fire.
- **Do not install the Wi-Fi interface nearby the automatic control devices such as automatic doors or fire alarms.**
It can cause accidents due to malfunctions.
- **Do not disassemble, modify, or repair by yourself.**
It can cause electric shock, fire, or injury.

Warning

(Improper handling may have serious consequences, including serious injury or death.)

- **Do not use the Wi-Fi interface nearby the medical electrical equipment or people who have a medical device such as a cardiac pacemaker or an implantable cardioverter-defibrillator.**
It can cause an accident due to malfunctions of the medical equipment or device.
- **This equipment should be installed and operated with a minimum distance of 20 cm between the device and the user or bystanders.**






Caution

(Improper handling may have consequences, including injury or damage to building.)

- **To prevent damage from static electricity, touch a nearby metal body to discharge static electricity from yourself before touching the Wi-Fi interface.**
Static electricity from the human body may damage the Wi-Fi interface unit.
- **Do not install the Wi-Fi interface in a place with much steam, such as bathroom.**
Avoid places where water is splashed or where condensation forms on walls. Installing in such places can cause electric shock or breakdown.
- **Do not install the Wi-Fi interface in places with direct sunlight or where the ambient temperature is 40°C or more or is 0°C or less.**
Direct sunlight and high or low temperature environments may cause the Wi-Fi interface to deform or breakdown.
- **Do not use in special environments.**
Use in places with much oil (including machine oil), steam, or sulfuric gas may lead to severe decrease in functionality and damage to parts.
- **Turn off power supply of connected equipment when performing construction or wiring work.**
Failure to turn off the power supply to the connected equipment may lead to malfunction or breakdown of the Wi-Fi interface or connected equipment.
- **The connecting cable must not touch piping directly.**
- **Do not use the Wi-Fi interface nearby other wireless devices, microwaves, cordless phones, or facsimiles.**
It can cause malfunctions.
- **Do not mount the Wi-Fi interface where children can reach.**
It can cause injury.






[Precautions for setting up, or use of the Wi-Fi interface]

■ Meanings of symbols used in this manual

 Be sure not to do.	 Be sure to follow the instruction.
 Never touch with wet hand.	 Be sure to disconnect the power supply plug from the power outlet.
 Never splash water on the unit.	

Warning

(Improper handling may have serious consequences, including serious injury or death.)

	<ul style="list-style-type: none"> ■ Do not disassemble, modify, or repair by yourself (user). It can cause electric shock, fire, or injury. 		<ul style="list-style-type: none"> ■ Do not touch the Wi-Fi interface with wet hands. It can cause damage to the device, electric shock, or fire.
	<ul style="list-style-type: none"> ■ This appliance is not intended for use by persons (including children) with reduced physical, sensory or mental capabilities, or lack of experience and knowledge, unless they have been given supervision or instruction concerning use of the appliance by a person responsible for their safety. 		<ul style="list-style-type: none"> ■ Do not splash water on the Wi-Fi interface or use it in a bathroom. It can cause damage to the device, electric shock, or fire.
	<ul style="list-style-type: none"> ■ Children should be supervised to ensure that they do not play with the appliances. 		<ul style="list-style-type: none"> ■ Do not install the Wi-Fi interface by yourself (user). Improper installation may result in fire, electric shock, or injury due to fall of the Wi-Fi interface. Consult the dealer from whom you purchased the Wi-Fi interface or professional installer.
	<ul style="list-style-type: none"> ■ This appliance can be used by children aged from 8 years and above and persons with reduced physical, sensory or mental capabilities or lack of experience and knowledge if they have been given supervision or instruction concerning use of the appliance in a safe way and understand the hazards involved. 		<ul style="list-style-type: none"> ■ When the Wi-Fi interface is dropped, or the holder or cable is damaged, disconnect the power supply plug or turn the breaker OFF. It may cause fire or electric shock. In this case, consult your dealer.
	<ul style="list-style-type: none"> ■ Children shall not play with the appliance. Cleaning and user maintenance shall not be made by children without supervision. 		<ul style="list-style-type: none"> ■ In case of an abnormal condition (such as a burning smell), stop the indoor unit and disconnect the power supply plug or turn the breaker OFF. A continued operation in the abnormal state may cause a malfunction, fire, or electric shock. In this case, consult your dealer.
	<ul style="list-style-type: none"> ■ Do not use the Wi-Fi interface nearby the medical electrical equipment or people who have a medical device such as a cardiac pacemaker or an implantable cardioverter-defibrillator. It can cause an accident due to malfunctions of the medical equipment or device. 		
	<ul style="list-style-type: none"> ■ Do not install the Wi-Fi interface nearby the automatic control devices such as automatic doors or fire alarms. It can cause accidents due to malfunctions. 		

Caution

(Improper handling may have consequences, including injury or damage to building.)



- **Do not mount the Wi-Fi interface where children can reach.**
It can cause injury.
- **Do not step on unstable stepstool to set up or clean the Wi-Fi interface.**
It may cause injury if you fall down.



- **Do not use the Wi-Fi interface nearby other wireless devices, microwaves, cordless phones, or facsimiles.**
It can cause malfunctions.

[Precautions for installation, setting up, or use of the Wi-Fi interface]

Note

- Please ensure that the Router supports the WPA2-AES encryption setting before commencement of the installation of this Wi-Fi interface.
- The End user should read and accept the terms and conditions of the Wi-Fi service before commencement of the installation of this Wi-Fi interface.
- To complete connection of this Wi-Fi interface to the Wi-Fi service the Router may be required.
- This Wi-Fi interface will not commence transmission of any operational data from the system until the End user registers and accepts the terms and conditions of the Wi-Fi service.
- This Wi-Fi interface should not be installed and connected to any Mitsubishi Electric system which is to provide application critical cooling or heating.
- Please write down the model information and more on the last page "Setting information", when you install this Wi-Fi interface.

Mitsubishi Electric's Wi-Fi Interface is designed for communication to Mitsubishi Electric's MELCloud Wi-Fi service.

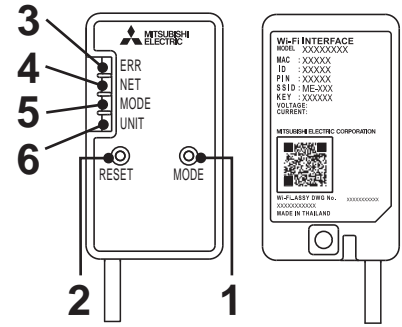
Third party Wi-Fi interfaces cannot be connected to MELCloud.

Mitsubishi Electric is not responsible for any (i) underperformance of a system or any product; (ii) system or product fault; or (iii) loss or damage to any system or product; which is caused by or arises from connection to and/or use of any third party Wi-Fi interface or any third party Wi-Fi service with Mitsubishi Electric equipment.

For the latest information regarding MELCloud from Mitsubishi Electric Corporation, please visit www.MELCloud.com.

2. Product Introduction

No.	Item	Description
1	MODE switch	It selects modes.
2	RESET switch	It resets the system and ALL settings.
3	ERR LED (Orange)	It shows the network error state.
4	NET LED (Green)	It shows the network state.
5	MODE LED (Orange)	It shows the Access point mode state.
6	UNIT LED (Green)	It shows the indoor unit state.



(1) MODE switch

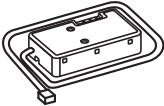

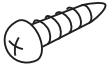

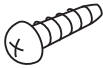
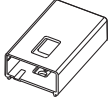

- The MODE switch is used for selecting modes in configurations.

(2) RESET switch

- Hold down the RESET switch for 2 seconds to reboot the system.
- Hold down the RESET switch for 14 seconds to initialize the Wi-Fi interface to the factory default.

When the Wi-Fi interface is reset to the factory default, ALL the configuration information will be lost. Take great care in implementing this operation.

3. Parts

①	Interface unit (with connecting cable)		1	④	Mounting cord clamp		1
②	Fixing screw for ⑥ 3.5×16 mm		2	⑤	Fastener (for bundling the wires)		1
③	Fixing screw for ④ 4×16 mm		1	⑥	Holder		1
				⑦	Clip		1

4. Connecting the Wi-Fi interface

(For details on each system, see the relevant instruction manual.)

Turn off the breaker of the room air conditioner or the ATW unit before connecting the cable to the indoor unit.

Refer to the installation manual of each model for connecting instructions and details.

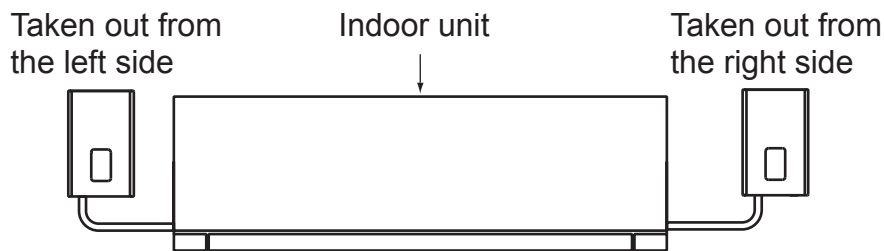
(1) The connecting cable connected to a indoor unit (CN105) should be mounted at the indoor unit or its vicinity.

When mounting the Interface unit ① inside an indoor unit, refer to the installation manual of the indoor unit. Do not mount the Interface unit ① inside the indoor unit, if not mentioned.

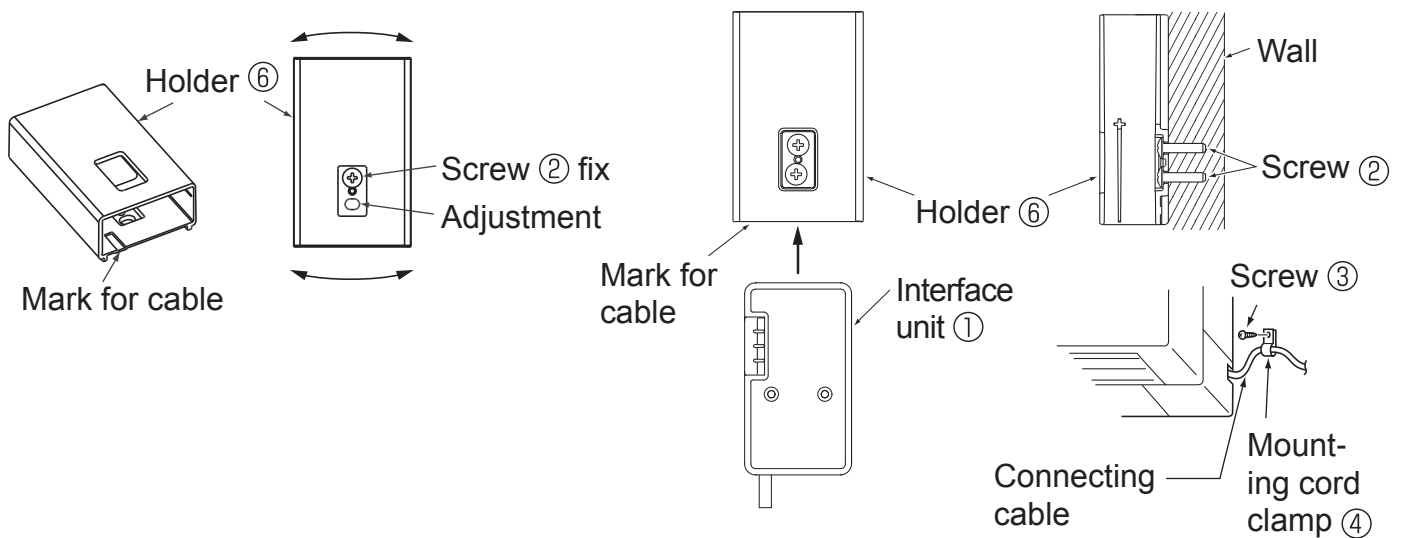
<Room air conditioner>

When mounting on the wall

The cable side of the interface unit ① should face downward.

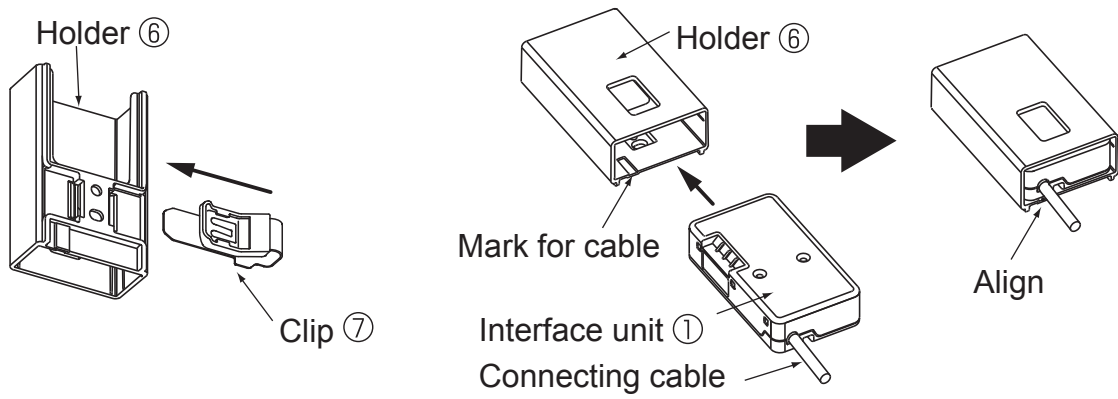


- Mount the holder ⑥ on the wall so its mark for the cable faces downward.
 - Insert the interface unit ① into the holder ⑥ until it clicks.
- Note: Tighten the upper and then the lower screws; adjust and level the holder ⑥ using the elongated hole for the lower screw.

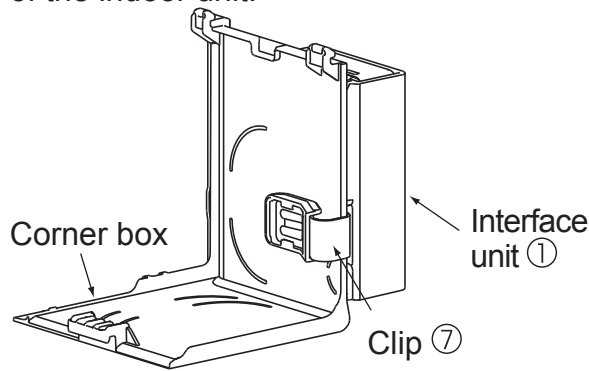


When mounting on the outer side of indoor unit

- Insert the clip ⑦ into the holder ⑥ until it clicks.
 - Insert the interface unit ① into the holder ⑥ until it clicks.
- Note: When inserting the interface unit ① into the holder, align the cable of the Interface unit ① with the mark for the cable on the holder ⑥.
- Otherwise, light leakage or degradation in appearance may result.



- Slip the clip ⑦ over the edge of corner box to fix the interface unit ①.
- Note: Mount the interface unit ① on the underside of the indoor unit if it cannot be mounted on the side of the indoor unit.

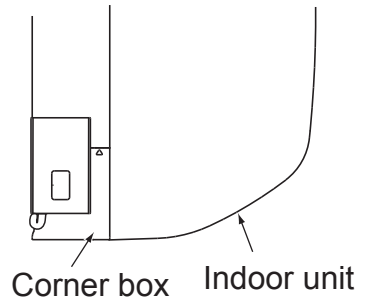
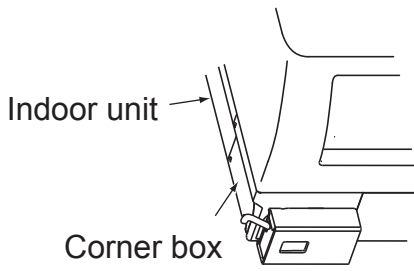


Example of mounting on the left side of indoor unit

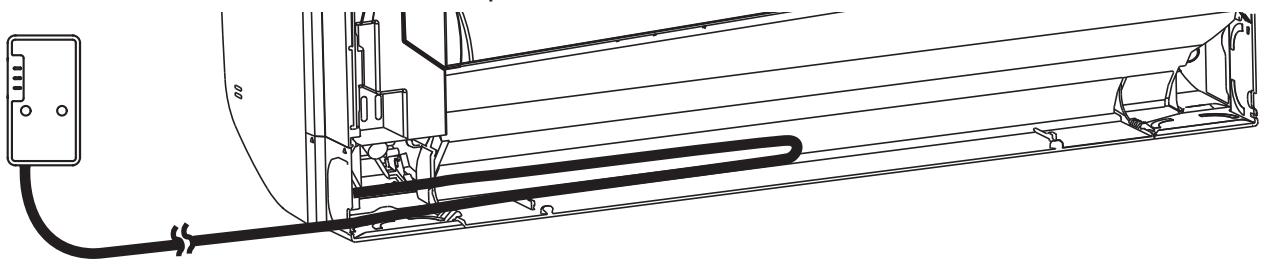
Note: Interface unit ① can also be mounted on the right side of the indoor unit.

Underside of the Indoor unit

Side of the Indoor unit



- To check the LED indication after setup, remove the interface unit ① from the holder ⑥.



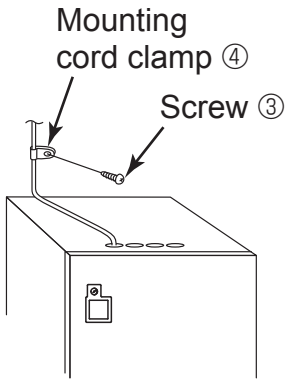
Run the connecting cable in the space on the back of the unit as shown in the above figure. Tuck cabling away and secure it.

Note: Make sure that the connecting cable will not get caught on or between the installation plate and the wall, or between the indoor unit and the installation plate.

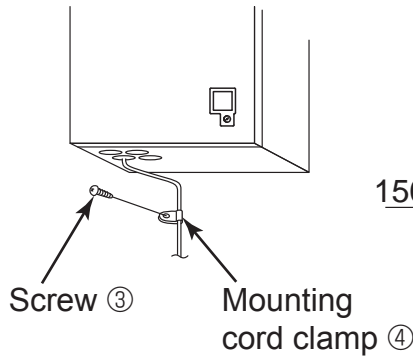
Failure to do so may cause damage to the connecting cable resulting in communication problems.

<ATW indoor unit>

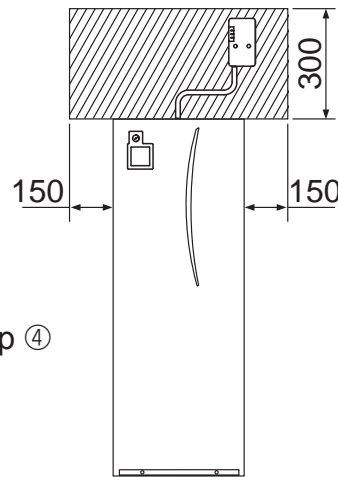
Cylinder unit



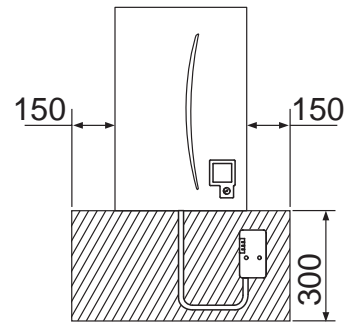
Hydrobox



Connecting to Cylinder unit



Connecting to Hydrobox



Mount in the same procedure for room air conditioner. Please refer to “When mounting on the wall” on page 6.

- (2) Turn on the breaker of the room air conditioner or the ATW unit and check that the LED indication of the Wi-Fi interface enters the initial state shown on right.

Initial State

ERR	OFF
NET	OFF
MODE	OFF
UNIT	Flashing

Setting up

Refer to SETUP QUICK REFERENCE GUIDE (Included in same package) and SETUP MANUAL to connect to a Router for setting up.
For SETUP MANUAL, please go to the website below.
<http://www.melcloud.com/Support>

For MELCloud User Manual, please go to the website below.
<http://www.melcloud.com/Support>

5. Specifications

Input Voltage	DC12.7 V (from indoor unit)
Power consumption	MAX 2 W
Size H×W×D (mm)	79×44×18.5
Weight (g)	110 (including cable)
Transmitter power level (MAX)	17.5 dBm @IEEE 802.11b
RF channel	1ch ~ 13ch (2412~2472 MHz)
Radio protocol	IEEE 802.11b/g/n (20)
Encryption	AES
Authentication	WPA2-PSK
Software Ver	XX.00
Length of cable (mm)	2,040

For Declaration of Conformity, please go to the website below.
<http://www.melcloud.com/Support>

Table des matières

1. Mesures de précaution	1
2. Introduction au produit	5
3. Pièces	5
4. Connexion de l'interface Wi-Fi	6
5. Spécifications	8

À propos de l'interface Wi-Fi

Cette interface Wi-Fi permet de communiquer les informations d'état et de contrôler les commandes provenant du MELCloud en se connectant à un appareil intérieur.

- Certains appareils intérieurs ne sont pas compatibles avec l'interface Wi-Fi. Veillez à ce que l'appareil intérieur soit compatible avec l'interface Wi-Fi avant de tenter d'installer l'interface Wi-Fi.

Remarque [Appareil intérieur ATW (air-eau) uniquement] :

Le logiciel de l'appareil intérieur ATW doit être mis à niveau avant d'utiliser l'interface Wi-Fi. Reportez-vous au site Web de MELCloud pour plus d'informations sur les modèles qui ont besoin d'être mis à niveau ainsi que sur la façon d'obtenir le logiciel et de le mettre à niveau.

1. Mesures de précaution

- Veuillez lire toutes les consignes de sécurité avant l'installation, la configuration ou l'utilisation de l'interface Wi-Fi.
- Ce manuel d'installation contient des consignes de sécurité importantes. Veillez à suivre rigoureusement les instructions.
- Après avoir installé l'interface Wi-Fi, donnez ce manuel d'installation à l'utilisateur. Dites aux utilisateurs de le ranger avec le manuel d'instruction de leur appareil intérieur dans un endroit sûr.

[Précautions d'installation]

Avertissement

(Une manipulation incorrecte peut avoir des conséquences graves, y compris des blessures graves, voire mortelles.)

- **N'installez pas l'interface Wi-Fi vous-même (utilisateur).** Une installation incorrecte peut provoquer un incendie, un choc électrique, des blessures provoquées par la chute de l'interface Wi-Fi ou des fuites d'eau. Consultez le revendeur qui vous a vendu l'interface Wi-Fi ou un installateur agréé.
- **L'interface Wi-Fi doit être bien fixée lors de son installation conformément aux instructions de ce manuel d'installation.** Une installation incorrecte peut provoquer un incendie, un choc électrique, des dommages ou la chute de l'interface Wi-Fi.
- **L'interface Wi-Fi doit être montée à un endroit capable de supporter son poids.** Si l'interface Wi-Fi est installée dans un endroit qui ne peut pas supporter son poids, l'interface Wi-Fi pourrait tomber et provoquer des dommages.
- **Raccordez et fixez bien les fils électriques de manière à ce qu'aucune force externe ne puisse s'appliquer aux bornes.** Tout mauvais raccordement ou montage peut provoquer une panne, la génération de chaleur, l'apparition de fumée ou un incendie.
- **Des composants de Mitsubishi Electric ou autres composants désignés doivent être utilisés pour l'installation.** Tout composant inadéquat peut provoquer un incendie, un choc électrique ou des dommages/fuites d'eau.
- **Les travaux électriques doivent être effectués par un professionnel agréé conformément aux réglementations locales et aux instructions données dans le manuel d'installation.** Une capacité inadéquate du circuit ou une mauvaise installation peut entraîner un choc électrique ou un incendie.
- **Ne raccordez pas l'interface Wi-Fi à la terre à l'intérieur de l'appareil intérieur.**
- **Fixez fermement le couvercle du boîtier électrique de l'appareil intérieur.** Si le couvercle du boîtier électrique des appareils intérieurs est mal fixé, il risque de provoquer un incendie ou un choc électrique provoqués par de la poussière, de l'eau, etc.
- **Lors de l'installation de l'interface Wi-Fi, utilisez l'équipement de protection et les outils adéquats, par mesure de sécurité.** Le non-respect de ces recommandations peut être à l'origine de blessures.
- **Coupez le disjoncteur ou débranchez la fiche d'alimentation électrique de l'appareil intérieur quand vous connectez l'interface Wi-Fi.** Le non-respect de ces recommandations peut être à l'origine d'une électrocution.
- **Veillez à brancher correctement le connecteur de l'interface Wi-Fi à la carte P.C. de l'appareil intérieur.** Tout raccordement ou montage incomplet peut provoquer la cassure d'un fil, la génération de chaleur, l'apparition de fumée ou un incendie.
- **N'installez pas l'interface Wi-Fi à proximité de dispositifs de commande automatiques comme des portes automatiques ou des alarmes d'incendie.** Ceci pourrait provoquer un accident à cause de dysfonctionnements.
- **Ne démontez pas, ne modifiez pas et ne réparez pas par vous-même.** Ceci pourrait provoquer un choc électrique, un incendie ou des blessures.

Avertissement

(Une manipulation incorrecte peut avoir des conséquences graves, y compris des blessures graves, voire mortelles.)

- **N'utilisez pas l'interface Wi-Fi à proximité d'un appareil électrique médical ou de personnes portant un dispositif médical tel qu'un stimulateur cardiaque ou un défibrillateur automatique implantable.**
Il pourrait provoquer un accident en cas de dysfonctionnement de l'appareil médical ou du dispositif.
- **Cet appareil doit être installé et utilisé en laissant une distance minimale de 20 cm entre le dispositif et l'utilisateur ou les personnes présentes.**






Attention

(Toute manipulation incorrecte peut avoir des conséquences, y compris des blessures ou des dommages matériels au bâtiment.)

- **Pour éviter tout dommage provoqué par l'électricité statique, touchez un corps métallique se trouvant à proximité pour décharger l'électricité statique de votre corps avant de toucher l'interface Wi-Fi.**
L'électricité statique provenant du corps humain peut endommager l'unité d'interface Wi-Fi.
- **N'installez pas l'interface Wi-Fi dans un endroit soumis à une grande quantité de vapeur, comme dans une salle-de-bain.**
Évitez les endroits où elle pourrait être éclaboussée par de l'eau ou sujette à de la condensation sur les murs. Une installation dans un endroit de ce type peut provoquer des chocs électriques ou une panne.
- **N'installez pas l'interface Wi-Fi dans un endroit exposé aux rayons directs du soleil ou soumis à des températures ambiantes supérieures ou égales à 40 °C ou inférieures ou égales à 0 °C.**
Les rayons directs du soleil et les environnements où la température est élevée ou basse peuvent provoquer la déformation ou la panne de l'interface Wi-Fi.
- **N'utilisez pas dans des environnements spéciaux.**
Toute utilisation dans des endroits où se trouve beaucoup d'huile (y compris de l'huile pour machines), de vapeur ou de gaz sulfurique peut provoquer une diminution importante des fonctionnalités et endommager les pièces.
- **Coupez l'alimentation électrique des appareils raccordés quand vous effectuez des travaux de construction ou de câblage.**
Si vous ne coupez pas l'alimentation électrique de l'appareil raccordé, vous pouvez provoquer le dysfonctionnement ou la panne de l'interface Wi-Fi ou de l'appareil raccordé.
- **Le câble de connexion ne doit pas toucher directement la tuyauterie.**
- **N'utilisez pas l'interface Wi-Fi à proximité d'autres dispositifs sans fil, de fours à microondes, de téléphones sans fil ou de télécopieurs.**
Ceci pourrait provoquer des dysfonctionnements.
- **Ne montez pas l'interface Wi-Fi à portée des enfants.**
Ceci pourrait provoquer des blessures.






[Précautions de configuration ou d'utilisation de l'interface Wi-Fi]

■ Signification des symboles utilisés dans ce manuel

 À éviter absolument.	 Suivre rigoureusement les instructions.
 Ne jamais toucher avec les mains mouillées.	 Veiller à débrancher la fiche d'alimentation électrique de la prise secteur.
 Ne jamais éclabousser d'eau sur l'appareil.	

Avertissement

(Une manipulation incorrecte peut avoir des conséquences graves, y compris des blessures graves, voire mortelles.)

	<ul style="list-style-type: none"> ■ Ne démontez pas, ne modifiez pas et ne réparez pas par vous-même (utilisateur). Ceci pourrait provoquer un choc électrique, un incendie ou des blessures. 		<ul style="list-style-type: none"> ■ Ne touchez pas l'interface Wi-Fi avec les mains mouillées. Vous pourriez endommager le dispositif ou provoquer un choc électrique ou un incendie.
	<ul style="list-style-type: none"> ■ Cet appareil n'est pas conçu pour être utilisé par des personnes (y compris des enfants) présentant des capacités physiques, sensorielles ou mentales réduites, ou manquant d'expérience et de connaissances, à moins qu'elles ne soient supervisées ou aient reçu des instructions relatives à l'utilisation de l'appareil par une personne responsable de leur sécurité. 		<ul style="list-style-type: none"> ■ N'éclaboussez pas d'eau sur l'interface Wi-Fi et ne l'utilisez pas dans une salle-de-bain. Vous pourriez endommager le dispositif ou provoquer un choc électrique ou un incendie.
	<ul style="list-style-type: none"> ■ Les enfants doivent être surveillés pour s'assurer qu'ils ne jouent pas avec les appareils. 		<ul style="list-style-type: none"> ■ N'installez pas l'interface Wi-Fi vous-même (utilisateur). Une installation incorrecte peut provoquer un incendie, un choc électrique ou des blessures provoquées par la chute de l'interface Wi-Fi. Consultez le revendeur qui vous a vendu l'interface Wi-Fi ou un installateur agréé.
	<ul style="list-style-type: none"> ■ Cet appareil peut être utilisé par des enfants de 8 ans et plus et des personnes dont les capacités mentales, sensorielles ou physiques sont réduites, ou manquant d'expérience et de connaissances, dès lors qu'elles sont supervisées ou ont reçu une formation relative à l'utilisation de l'appareil et comprennent les dangers associés à celui-ci. 		<ul style="list-style-type: none"> ■ En cas de chute de l'interface Wi-Fi, ou si le support ou le câble est endommagé, débranchez la fiche d'alimentation électrique ou coupez le disjoncteur. Ceci pourrait provoquer un incendie ou un choc électrique. Dans ce cas, consulter un revendeur agréé.
	<ul style="list-style-type: none"> ■ Les enfants ne doivent pas jouer avec l'appareil. Le nettoyage et l'entretien ne peuvent pas être effectués par un enfant sans surveillance. 		<ul style="list-style-type: none"> ■ En cas d'anomalie (comme une odeur de brûlé, par exemple), arrêtez l'appareil intérieur et débranchez la fiche d'alimentation électrique ou coupez le disjoncteur. Si le climatiseur continue à fonctionner en présence d'une anomalie, une défaillance technique, un risque d'incendie ou d'électrocution ne sont pas à exclure. Si tel est le cas, consultez votre revendeur.
	<ul style="list-style-type: none"> ■ N'utilisez pas l'interface Wi-Fi à proximité d'un appareil électrique médical ou de personnes portant un dispositif médical tel qu'un stimulateur cardiaque ou un défibrillateur automatique implantable. Il pourrait provoquer un accident en cas de dysfonctionnement de l'appareil médical ou du dispositif. 		
	<ul style="list-style-type: none"> ■ N'installez pas l'interface Wi-Fi à proximité de dispositifs de commande automatiques comme des portes automatiques ou des alarmes d'incendie. Ceci pourrait provoquer un accident à cause de dysfonctionnements. 		

Attention

(Toute manipulation incorrecte peut avoir des conséquences, y compris des blessures ou des dommages matériels au bâtiment.)



■ **Ne montez pas l'interface Wi-Fi à portée des enfants.**
Ceci pourrait provoquer des blessures.

■ **Ne montez pas sur un tabouret-es-cabeau instable pour installer ou nettoyer l'interface Wi-Fi.**
Vous risquez de vous blesser si vous tombez.



■ **N'utilisez pas l'interface Wi-Fi à proximité d'autres dispositifs sans fil, de fours à microondes, de téléphones sans fil ou de télécopieurs.**
Ceci pourrait provoquer des dysfonctionnements.

[Précautions d'installation, de configuration ou d'utilisation de l'interface Wi-Fi]

Remarque

- Avant de commencer l'installation de cette interface Wi-Fi, veuillez vous assurer que le routeur prend en charge le réglage de chiffrement WPA2-AES.
- Avant de commencer l'installation de cette interface Wi-Fi, l'utilisateur final doit lire et accepter les termes et conditions du service Wi-Fi.
- Pour finaliser la connexion de cette interface Wi-Fi au service Wi-Fi, il est possible qu'il faille utiliser le routeur.
- Cette interface Wi-Fi ne commencera la transmission d'aucune donnée opérationnelle du système tant que l'utilisateur ne se sera pas inscrit et n'aura pas accepté les Termes et conditions du service Wi-Fi.
- Cette interface Wi-Fi ne doit être installée et connectée à aucun système Mitsubishi Electric supposé fournir un refroidissement ou un chauffage essentiel à l'application.
- Quand vous installez cette interface Wi-Fi, veuillez prendre note du modèle et autres informations sur la dernière page « Setting information (Informations de configuration) ».

L'interface Wi-Fi de Mitsubishi Electric a été conçue pour établir la communication avec le service Wi-Fi MELCloud de Mitsubishi Electric.

Aucune interface Wi-Fi tierce ne peut se connecter à MELCloud.

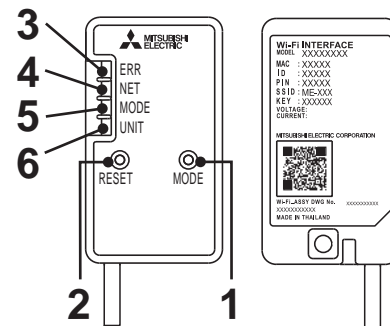
Mitsubishi Electric n'est pas responsable en cas de (i) sous-performance d'un système ou de n'importe quel autre produit ;

(ii) défaillance du système ou du produit ; ou (iii) perte ou dommages occasionnés à n'importe quel système ou produit provoqué(e)s par ou survenant à la suite d'une connexion à et/ou de l'utilisation d'une interface Wi-Fi tierce ou de n'importe quel service Wi-Fi tiers avec un équipement de Mitsubishi Electric.

Pour les toutes dernières informations concernant MELCloud de Mitsubishi Electric Corporation, veuillez consulter le site www.MELCloud.com.

2. Introduction au produit

N°	Point de réglage	Description
1	Commutateur MODE	Permet de sélectionner les modes.
2	Commutateur RESET (Réinitialisation)	Permet de réinitialiser le système et TOUS les réglages.
3	LED ERR (Erreur) (Orange)	Montre l'état d'erreur du réseau.
4	LED NET (Réseau) (Vert)	Montre l'état du réseau.
5	LED MODE (Orange)	Montre l'état du mode du point d'accès.
6	LED UNIT (Unité) (Vert)	Montre l'état de l'appareil intérieur.



(1) Commutateur MODE

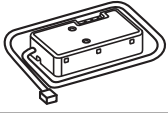

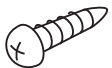

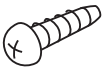
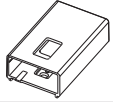

- Le commutateur MODE s'utilise pour sélectionner les modes lors des configurations.

(2) Commutateur RESET (Réinitialisation)

- Maintenez le commutateur RESET (Réinitialisation) enfoncé pendant 2 secondes pour redémarrer le système.
- Maintenez le commutateur RESET (Réinitialisation) enfoncé pendant 14 secondes pour initialiser l'interface Wi-Fi selon les réglages par défaut d'usine.

Quand l'interface Wi-Fi est réinitialisée aux valeurs par défaut d'usine, TOUTES les informations de configuration sont perdues. Faites bien attention si vous effectuez cette opération.

3. Pièces

①	Unité d'interface (avec câble de connexion)		1	④	Attache-câble pour la fixation		1
②	Vis de fixation pour ⑥ 3,5×16 mm		2	⑤	Fixation (pour attacher les fils ensemble)		1
③	Vis de fixation pour ④ 4×16 mm		1	⑥	Support		1
				⑦	Clip		1

4. Connexion de l'interface Wi-Fi

(Pour plus de détails sur chaque système, consultez le manuel d'instructions adéquat.)

Coupez le disjoncteur du climatiseur de la pièce ou de l'unité ATW avant de raccorder le câble à l'appareil intérieur.

Reportez-vous au manuel d'installation de chaque modèle pour les instructions de connexion et plus de détails.

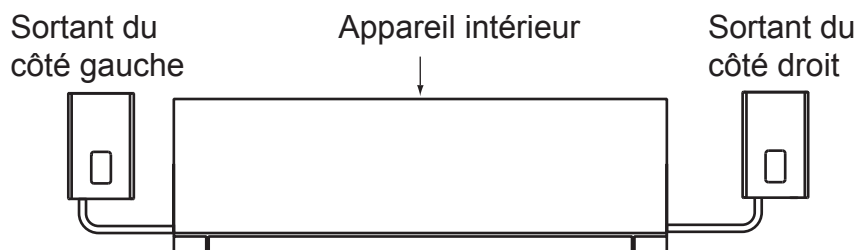
(1) Le câble de connexion raccordé à un appareil intérieur (CN105) doit être installé sur l'appareil intérieur ou à proximité.

Lors de l'installation de l'unité d'interface ① à l'intérieur d'un appareil intérieur, reportez-vous au manuel d'installation de l'appareil intérieur. Ne montez pas l'unité d'interface ① à l'intérieur de l'appareil intérieur si ceci n'est pas mentionné.

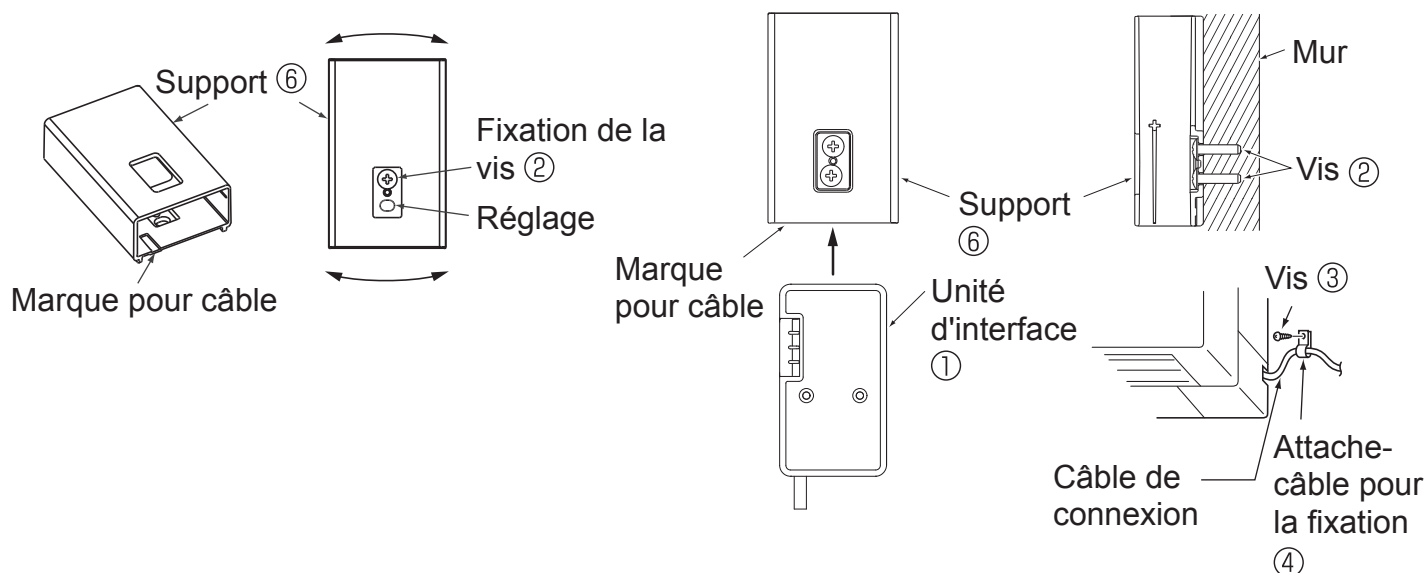
<Climatiseur de pièce>

Montage mural

Le côté câble de l'unité d'interface ① doit être orienté vers le bas.

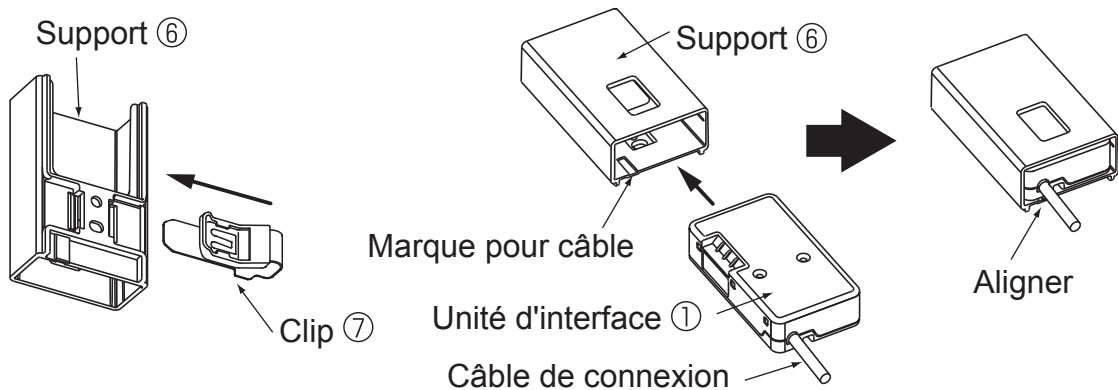


- Montez le support ⑥ sur le mur de sorte que la marque pour les câbles soit orientée vers le bas.
 - Insérez l'unité d'interface ① dans le support ⑥ jusqu'à entendre un déclic.
- Remarque : Serrez les vis supérieures, puis les vis inférieures ; réglez et mettez le support ⑥ de niveau en utilisant l'orifice allongé pour la vis inférieure.

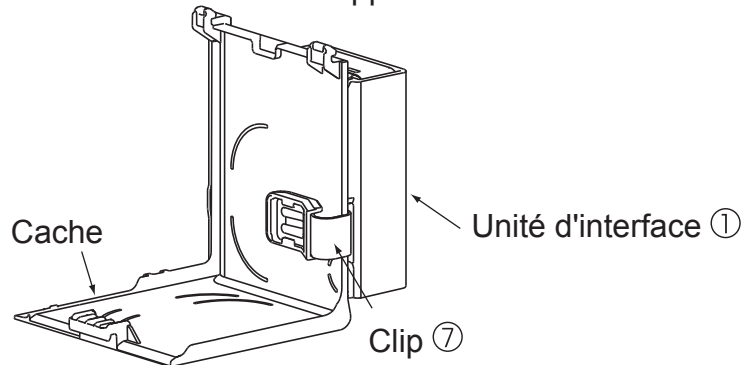


Montage sur le côté externe de l'appareil intérieur

- Insérez le clip ⑦ dans le support ⑥ jusqu'à entendre un déclic.
 - Insérez l'unité d'interface ① dans le support ⑥ jusqu'à entendre un déclic.
- Remarque : Lors de l'insertion de l'unité d'interface ① dans le support, alignez le câble de l'unité d'interface ① sur la marque pour câble située sur le support ⑥.
Sinon, de légères fuites ou une dégradation d'aspect pourraient se produire.



- Faites glisser le clip ⑦ au dessus du bord du cache pour fixer l'unité d'interface ①.
- Remarque : Montez l'unité d'interface ① sur la face inférieure de l'appareil intérieur si elle ne peut pas être montée sur le côté de l'appareil intérieur.

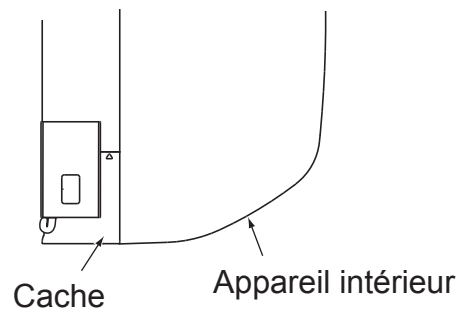
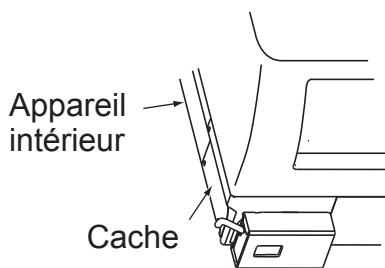


Exemple de montage sur le côté gauche de l'appareil intérieur

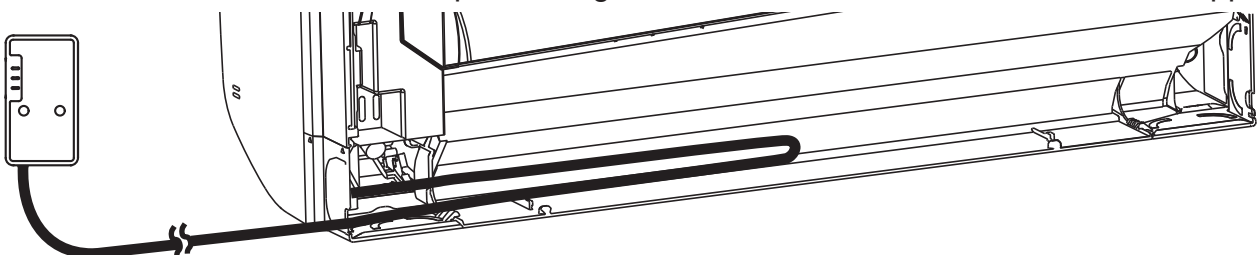
Remarque : L'unité d'interface ① peut aussi être montée du côté droit de l'appareil intérieur.

Face inférieure de l'appareil intérieur

Côté de l'appareil intérieur

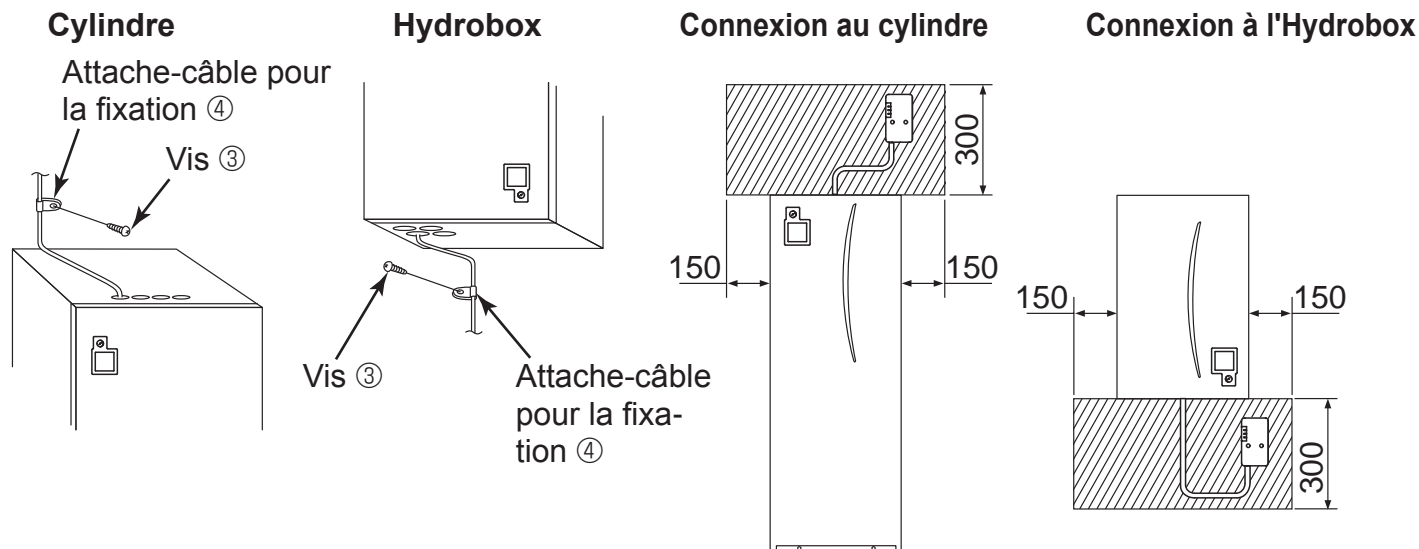


- Pour vérifier l'indication de la LED après configuration, enlevez l'unité d'interface ① du support ⑥.



Acheminez le câble de connexion dans l'espace situé à l'arrière de l'appareil comme illustré sur la figure ci-dessus. Rangez bien le câble et fixez-le.

Remarque : Veillez à ce que le câble de connexion ne se coince pas dans la plaque d'installation ou entre cette dernière et le mur, ou entre l'appareil intérieur et la plaque d'installation. Si ceci se produit, vous pourriez endommager le câble de connexion et provoquer des problèmes de communication.



Suivez la même procédure pour monter le climatiseur de pièce. Veuillez vous reporter à la section « Montage mural », page 6.

- (2) Mettez le disjoncteur du climatiseur de pièce ou de l'unité ATW sur Marche et vérifiez que l'indicateur LED de l'interface Wi-Fi passe à l'état initial indiqué à droite.

État initial

ERR	OFF
NET	OFF
MODE	OFF
UNIT	Clignotant

Configuration

Reportez-vous au SETUP QUICK REFERENCE GUIDE (GUIDE DE RÉFÉRENCE RAPIDE DE CONFIGURATION) (inclus dans le même paquet) et au MANUEL DE CONFIGURATION pour la connexion à un routeur pour la configuration.

Pour le MANUEL DE CONFIGURATION, veuillez consulter le site Web ci-dessous.

<http://www.melcloud.com/Support>

Pour le manuel de l'utilisateur de MELCloud, veuillez consulter le site Web ci-dessous.

<http://www.melcloud.com/Support>

5. Spécifications

Tension d'entrée	12,7 V CC (de l'appareil intérieur)
Consommation	2 W MAX
Dimensions H×L×P (mm)	79×44×18,5
Poids (g)	110 (câble compris)
Niveau de puissance de l'émetteur (MAX)	17,5 dBm @IEEE 802.11b
Canal RF	1 can ~ 13 can (2 412~2 472 MHz)
Protocole radio	IEEE 802.11b/g/n (20)
Chiffrement	AES
Authentification	WPA2-PSK
Version logicielle	XX.00
Longueur de câble (mm)	2 040

Pour la Déclaration de conformité, veuillez consulter le site Web ci-dessous.
<http://www.melcloud.com/Support>

Setting information

Indoor unit model name	
Indoor unit serial number	
Outdoor unit model name	
Outdoor unit serial number	
Wi-Fi interface MAC address (MAC)	
Wi-Fi interface serial number (ID)	
Wi-Fi interface PIN (PIN)	
Wi-Fi interface SSID (SSID)	
Wi-Fi Interface KEY (KEY)	
System commissioning date	
Wi-Fi interface installation date	

Installer contact details

Name	
Telephone number	

MEMO

.....

.....

.....

.....

.....

Name of Importer:

Mitsubishi Electric Europe B.V.
Capronilaan 46, 1119 NS, Schiphol Rijk, The Netherlands

French Branch
25, Boulevard des Bouvets, 92741 Nanterre Cedex, France

German Branch
Mitsubishi-Electric-Platz 1, 40882 Ratingen, Germany

Belgian Branch
Autobaan 2, 8210 Loppem, Belgium

Irish Branch
Westgate Business Park, Ballymount, Dublin 24, Ireland

Italian Branch
Centro Direzionale Colleoni, Palazzo Sirio-Ingresso 1
Viale Colleoni 7, 20864 Agrate Brianza(MB), Italy

Norwegian Branch
Gneisveien 2D, 1914 Ytre Enebakk, Norway

Portuguese Branch
Avda. do Forte, 10, 2799-514, Carnaxide, Lisbon, Portugal

Spanish Branch
Carretera de Rubi 76-80 - Apdo. 420 08173 Sant Cugat del Valles (Barcelona), Spain

Scandinavian Branch
Hammarbacken 14, P.O. Box 750 SE-19127, Sollentuna, Sweden

UK Branch
Travellers Lane, Hatfield, Herts., AL10 8XB, England, U.K.

Polish Branch
Krakowska 50, PL-32-083 Balice, Poland

MITSUBISHI ELECTRIC TURKEY ELEKTRİK ÜRÜNLERİ A.Ş.
Şerifali Mah. Kale Sok. No: 41 34775 Ümraniye, İstanbul / Turkey

MITSUBISHI ELECTRIC (RUSSIA) LLC
52, bld.1 Kosmodamianskaya Nab. 115054, Moscow, Russia

This product is designed and intended for use in the residential,
commercial and light-industrial environment.

mitsubishi electric corporation

HEAD OFFICE: TOKYO BUILDING, 2-7-3, MARUNOUCHI, CHIYODA-KU, TOKYO 100-8310, JAPAN

mitsubishi electric consumer products (thailand) co., ltd
AMATA NAKORN INDUSTRIAL ESTATE 700/406 MOO 7, TAMBON DON HUA ROH, AMPHUR
MUANG, CHONBURI 20000, THAILAND

JG79Y258H02

Printed in THAILAND