

Air Conditioning Systems

Wall Controller Adaptor

MAC-497IF-E



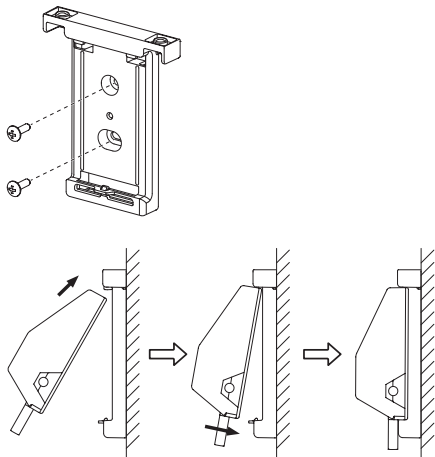
Mitsubishi Electric introduces the new MA controller adapter MAC-497IF-E for M-S-P Series units. With its unique design the MAC-497IF-E can be installed inside wall mounted unit when using right hand piping connection, allowing for the interface to be hidden away from view.

* Reverse piping cannot be used when MAC-497IF-E is installed inside the unit.

- Unit Dimensions (mm): 79 (H) x 150 (W) x 30 (D)

Easy Mount Wall Bracket

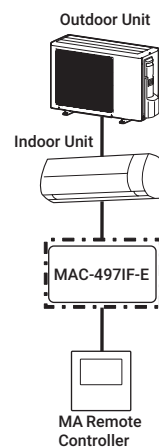
The MAC-497IF-E also comes with an easy to mount wall bracket for simple installation.



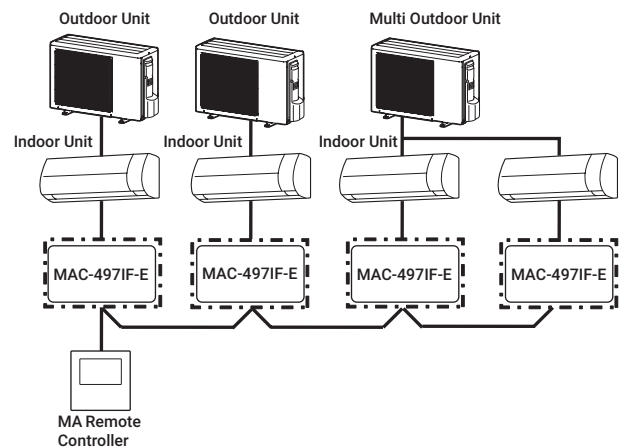
Single/Group Control

Available for use in both single and group installations.

Single Unit



Group Control



*When using group control the MA controller must be connected to the lowest refrigerant address.