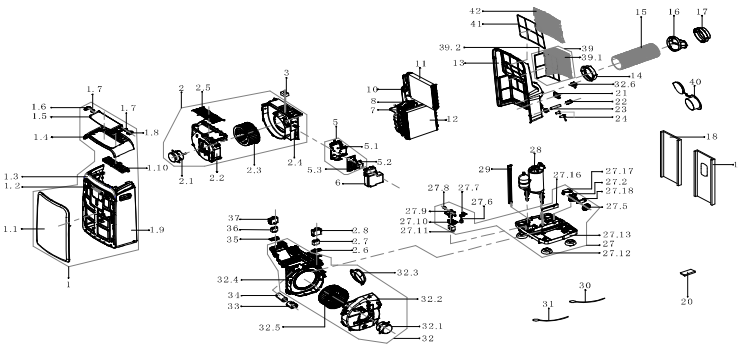


ALTECH ATP035S12

Model: ATP035S12
 Code article: 3539677
 Power Supply: 220-240V - 50Hz 1Phase



No.	Part Name	Quantity	BOM Code	Remark
1	Front panel assembly	1	201125490751	
1.1	Front panel	1	201125490652	
1.2	Signal receiving board assembly	1	201325390041	
1.3	Adorn board	1	201125490650	
1.4	Upper panel	1	201125490648	
1.5	Horizontal louver	1	201125490649	
1.6	Bracket	1	201125490646	
1.7	Gear wheel	1	201125490645	
1.7	Gear wheel	1	201125490647	
1.8	Louver motor	1	202400200067	MP30EA6
1.9	Mid panel	1	201125490651	
1.10	Display box assembly	1	203325490308	CAN-KC35Y1/N1-PD(H9).D.06.XK1.6
2	Air outlet volute shell assembly	1	201125490750	
2.1	Asynchronous motor	1	202400401433	YDK18-6D(B)
2.2	Air outlet volute shell	1	201125490629	
2.3	Centrifugal fan	1	201100100838	LX-222*95*8-38JN
2.4	Cover of Air outlet volute shell	1	201125490628	
2.5	Air outlet grille	1	201225490132	
2.6	Fasten board of Capacitor	1	201125490633	
2.7	Capacitor of fan motor	1	202401100997	1.5UF/450V-P2
2.8	Capacitor box	1	201125490632	
3	Dobber	1	202225490007	
5	Electronic control box assembly	1	203325290135	
5.1	Electronic control box	1	201125490621	
5.2	Power module assembly	1	201333090408	ELSA-KFR70G/GWYN-D(B8)(4007).D.31.DY1.1
5.3	Main control board assembly	1	201325490284	CAN-KC35Y1/N1-PD(H9).D.06.NK1.1
6	Cover of electronic control box	1	201125490631	
7	Suction pipe assembly	1	201625490440	
8	Discharge pipe assembly	1	201625490437	
10	Capillary assembly	1	201625490462	
11	Evaporator coil assembly	1	201525490133	
12	Condenser assembly	1	201525490130	
13	Rear panel assembly	1	201125490637	
14	Connector of air exhaust duct	1	201125490642	
15	Flexible air exhaust hose	1	201125190159	D 150
16	Air exhaust passage	1	201125690024	
17	Air exhaust passage	1	201125690023	
18	Window sealing board I	1	201125090001	
19	Window sealing board II	1	201125090002	
20	Remote controller	1	203355091498	RG51B31/E
21	Power cord cover	1	201125490668	
22	Cover of drain connector	1	201125190292	
23	Drain pipe	1	201125490665	
24	Drain stopper	1	202725190001	
24	Drain stopper	1	202725490017	
27	Chassis assembly	1	201125490653	
27.2	Shaded pole motor	1	202400700030	
27.5	Water wheel	1	201125190046	
27.6	Water level sensor	1	202301800917	SWKG-80B
27.7	Bracket of water level sensor	1	201225490059	
27.8	Micro switch	1	202301830114	MS-16
27.9	Bracket of Micro switch	1	201125490624	
27.10	Dobber case	1	201125490623	
27.11	Dobber	1	202225490007	
27.12	Universal wheel	4	202725100004	
27.13	Chassis	1	201125490625	
27.16	Waterproof foam	1	202225290002	
27.17	Top cover of Shaded pole motor	1	201125290219	
27.18	Bottom cover of Shaded pole motor	1	201125290220	
28	Compressor	1	201400603542	PA125G1C-4FZL1
29	Supporting bar	1	201225490101	
30	Pipe temperature sensor assembly	1	202301300445	CGO-GWJ-L650-SMP3B-P600
31	Indoor temperature sensor assembly	1	202301310072	CGO-SWJ-L250-SMP2-P200
32	Air exhaust volute shell assembly	1	201125490617	
32.1	Asynchronous motor	1	202400401432	YDK50-4DS
32.2	Cover of air exhaust volute shell	1	201125490619	
32.3	Connector of air exhaust duct	1	201125490618	
32.4	Middle partition board	1	201125490748	
32.5	Centrifugal fan	1	201100100837	LX-239*110*8-38JN
32.6	Power cord	1	2024022A0333	MM-CE01/H1516G-C3
33	Capacitor box	1	20125490630	
34	Capacitor of compressor	1	202401000612	35UF/440V(VDE II, III)
35	Fasten board of Capacitor	1	201125490633	
36	Capacitor of fan motor	1	202401100996	3.5UF/450V-P2
37	Capacitor box	1	201125490632	
39	Outdoor air inlet grille assembly	1	201125490634	
39.1	Outdoor air inlet grille	1	201125490635	
39.2	filter	1	201125490636	
40	Connector, air exhaust duct	1	201125090065	
41	Top filter	1	201125490639	
42	Indoor air inlet grille	1	201125490640	